



REDUNDANT SYSTEMS

MCL PRODUCT LINE

AMPLIFIERS AVAILABLE:

AVAILABLE SYSTEM OPTIONS:

MT3200A	Single TWTA C/X/Ku/DBS-Band
MT3211A	1:1 Redundant C/X/Ku/DBS-Band
MT3212A	1:2 Redundant C/X/Ku/DBS-Band
MT32PCA	VPC, Single-Feed Redundant C/X/Ku/DBS-Band
MT32PC2A	VPC, Dual-Feed Redundant C/X/Ku/DBS-Band
MT3212PC2A	1:2 Redundant VPC C/X/Ku/DBS-Band
MT3300	Single TWTA Ka-Band
MT3311	1:1 Redundant Ka-Band
MT3400	Single TWTA C/X/Ku/DBS-Band
MT3411	1:1 Redundant C/X/Ku/DBS-Band
MT34PC	VPC, Single-Feed Redundant C/X/Ku/DBS-Band
MT4000	Single TWTA C/X/Ku/DBS-Band
MT4011	1:1 Redundant C/X/Ku/DBS-Band
MT4012	1:2 Redundant C/X/Ku/DBS-Band
MT40PC	VPC, Single-Feed Redundant C/X/Ku/DBS-Band
MT40PC2	VPC, Dual-Feed Redundant C/X/Ku/DBS-Band
MT4400	Single TWTA C/X/Ku/DBS-Band
MT4411	1:1 Redundant C/X/Ku/DBS-Band
MT7000	Single TWTA C/X-Band
MT7011	1:1 Redundant C/X-Band
MT7012	1:2 Redundant C/X-Band
MT70PC	VPC, Single-Feed Redundant C/X-Band
MX9000	Single KPA C/Ku/DBS-Band
MX9011	1:1 Redundant C/Ku/DBS-Band
MX9012	1:2 Redundant C/Ku/DBS-Band
MX9013	1:3 Redundant C/Ku/DBS-Band
MX90PC	VPC, Single-Feed Redundant C/Ku/DBS-Band

MT3200A Rack Mount Medium Power TWTA

- C-Band 400W
- X-Band 400W
- Ku-Band 400W
- DBS-Band 270W

MT3300 Antenna Mount Medium Power TWTA

- Ka-Band 120W, 150W, 175W, 250W

MT3400 Antenna Mount Medium Power TWTA

- C-Band 400W
- X-Band 400W
- Ku-Band 400W
- DBS-Band 270W

MT4000 Rack Mount Medium Power TWTA

- C-Band 750W
- X-Band 750W
- Ku-Band 750W
- DBS-Band 500W

MT4400 Antenna Mount Medium Power TWTA

- C-Band 750W
- X-Band 750W
- Ku-Band 750W
- DBS-Band 500W
- Tri-Band Available Upon Request

MT7000 Rack Mount High Power TWTA

- C-Band 2250W, 2500W
- X-Band 2250W, 2500W

MX9000 High Power KPA

- C-Band 3000W, 3350W
- Ku-Band 2000W, 2500W
- DBS-Band 1500W, 1700W, 2500W

Each amplifier in the MCL product line is available in a number of redundant configurations to accommodate system redundancy or to combine outputs of multiple amplifiers to increase system output power. Standard configurations include 1:1 Redundant Systems, 1:2 Redundant Systems, Phase Combined Systems, 1:2 Redundant Phase Combined Systems, and Variable Phase Combined Dual Feed Systems. Other configurations are available upon request.

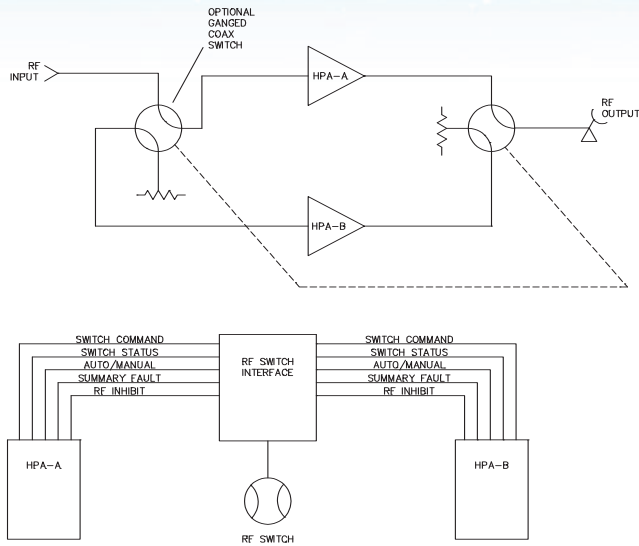
ISO 9001



501 S. Woodcreek Road, Bolingbrook, IL U.S.A., 60440-4999 • 630-759-9500 FAX: 630-759-5018

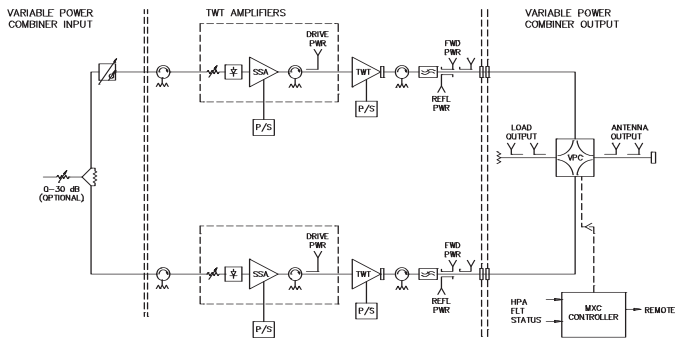
Redundant Systems

RF BLOCK DIAGRAMS

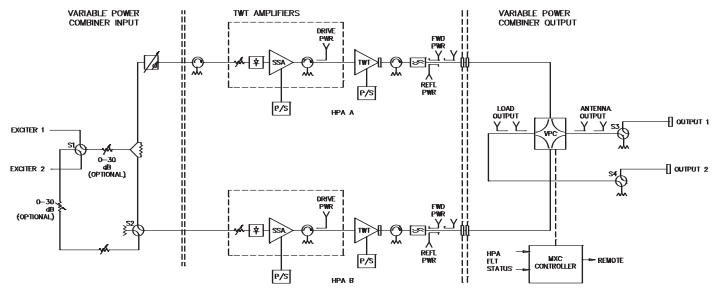


1:1

1:2



VPC-Single Thread



VPC-Dual Thread